

# PUBLIC SPACE DESIGN

## LANDSCAPE DESIGN GUIDELINES

### STANDARD DETAILS

#### APPENDIX:

#### HARDSCAPE

1.1 - COMPACTED GRANITIC SAND

#### SOFTSCAPE

2.1 - TYPICAL GARDEN BED  
- SOFTFALL PLAY MULCH  
- TURF INSTALLATION

#### EDGING

3.1 - CONCRETE EDGE BEAM / SOFTFALL INTERFACE  
- STEEL EDGING  
- STEEL EDGE - TURF & GARDEN BED INTERFACE

#### BARRIERS

4.1 - SINGLE - RECYCLED PLASTIC BOLLARD / CONC. EDGING  
4.2 - RECYCLED PLASTIC BOLLARD - IN 125MM GAL. STEEL SQ BOLLARD SLEEVE  
4.3 - CENTRED IN PATH - RP BOLLARDS

#### BIKE HOOPS

5.1 - BIKE HOOP BOLTED INTO CONCRETE PAVEMENT

#### SEATING

6.1 - PARK SEAT BOLTED INTO CONCRETE SLAB

#### TREES

7.1 - TREE PLANTING DETAIL IN NEW SUBDIVISION NATURESTRIP  
7.2 - TREE PLANTING DETAIL FOR PUBLIC RESERVE OPEN SPACES

#### SHRUBS

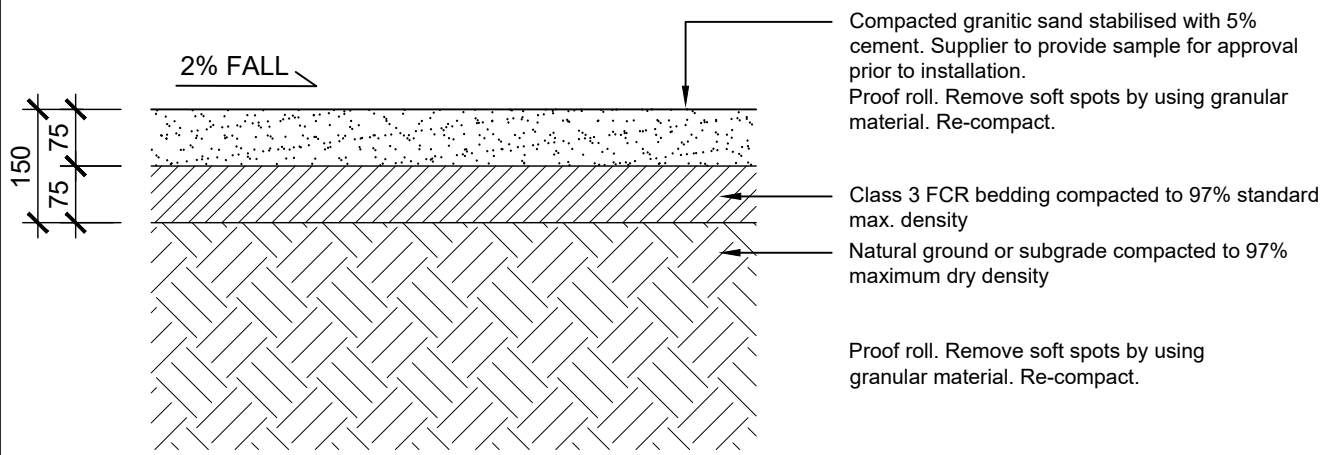
8.1 - SHRUB PLANTING AND MULCHING  
- TUBESTOCK IN GRASSED AREA  
- TUBESTOCK WITH STAKING

ISSUE D: 17.10.2023

#### STANDARD CODES & ABBREVIATIONS

Code	Description
CFW	Continuous Fillet Weld
CHS	Circular Hollow Section
CSK	Countersunk (Surface Finish)
CTs.	Centres
DAR	Dressed All Round
EA	Equal Angle
EJ	Expansion Joint
FN#	Proprietary Furniture Type #
FX#	Proprietary Fixture
FSBW	Full Strength Butt Weld
FSL	Finished Surface Level
G	Gauge
HDG	Hot Dip Galvanised (Gal.)
NGL	Natural Ground Level
HWD	Hardwood
MS	Mild Steel
Nom.	Nominal
PFC	Parallel Flange Channel
RP	Recycled Plastic
RPB	Recycled Plastic Bollards
RHS	Rectangular Hollow Section
SD	Slot Drain
SHS	Square Hollow Section
SJ	Sawn Joint
SS	Stainless Steel
TP	Tangent Point
Typ	Typical
UA	Unequal Angle

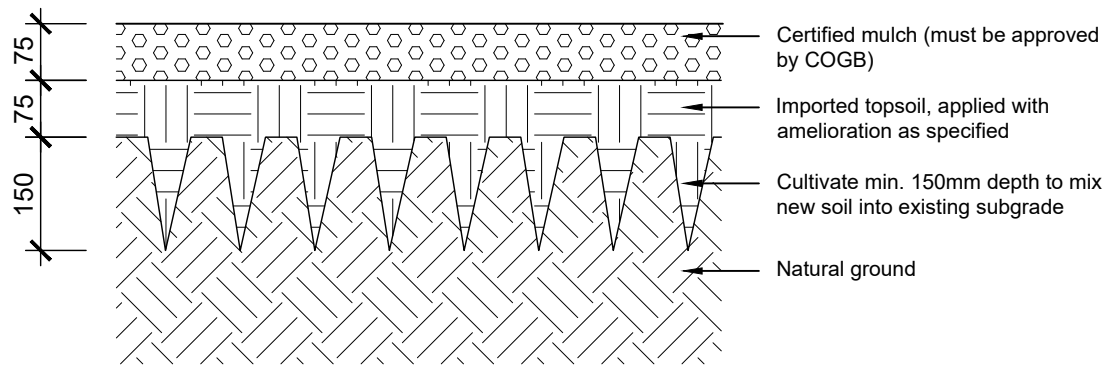
ALL CODES AND ABBREVIATIONS ARE TO BE READ IN CONJUNCTION WITH THE SCHEDULE AND DRAWING SET.



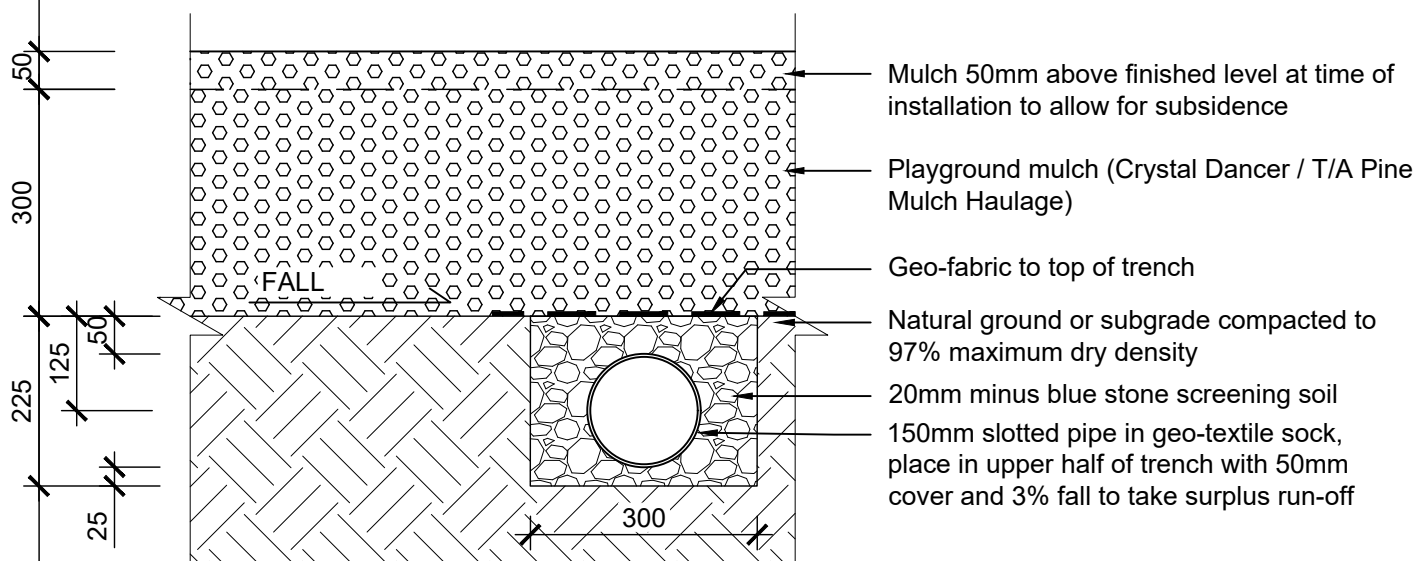
① **COMPACTED GRANITIC SAND**  
Detail  
Scale 1:10@A3 **LD - 1/1.1**

**TYPICAL CONCRETE FOOTPATH DETAIL - AS PER IDM SD 205**

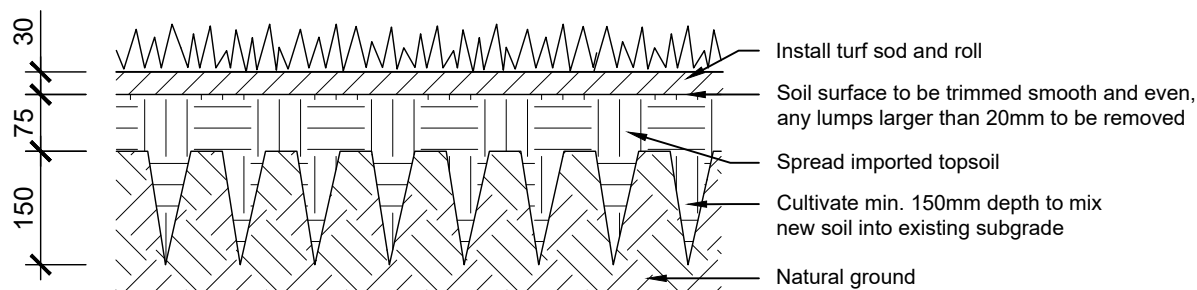
**TYPICAL ASPHALT FOOTPATH DETAIL - AS PER IDM SD 206**



**1 TYPICAL GARDEN BED**  
 Detail  
 Scale 1:10@A3 **LD - 1/2.1**

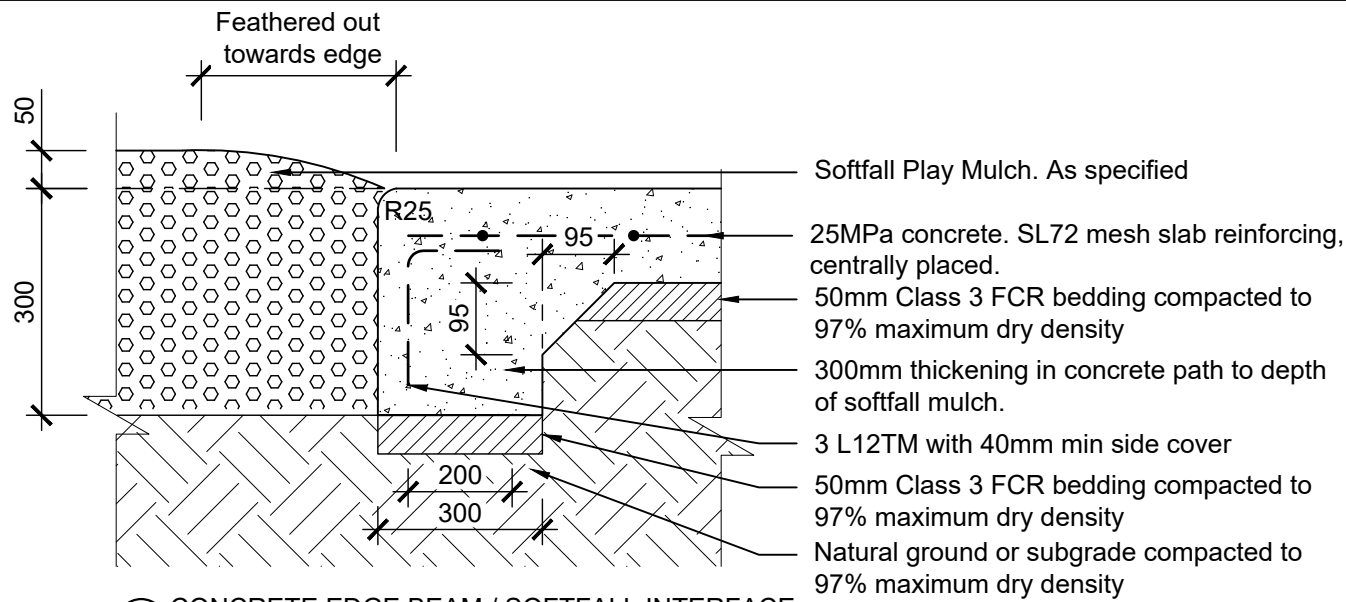


**2 SOFTFALL PLAY MULCH WITH SLOTTED AGI PIPE DRAINAGE**  
 Detail  
 Scale 1:10@A3 **LD - 2/2.1**



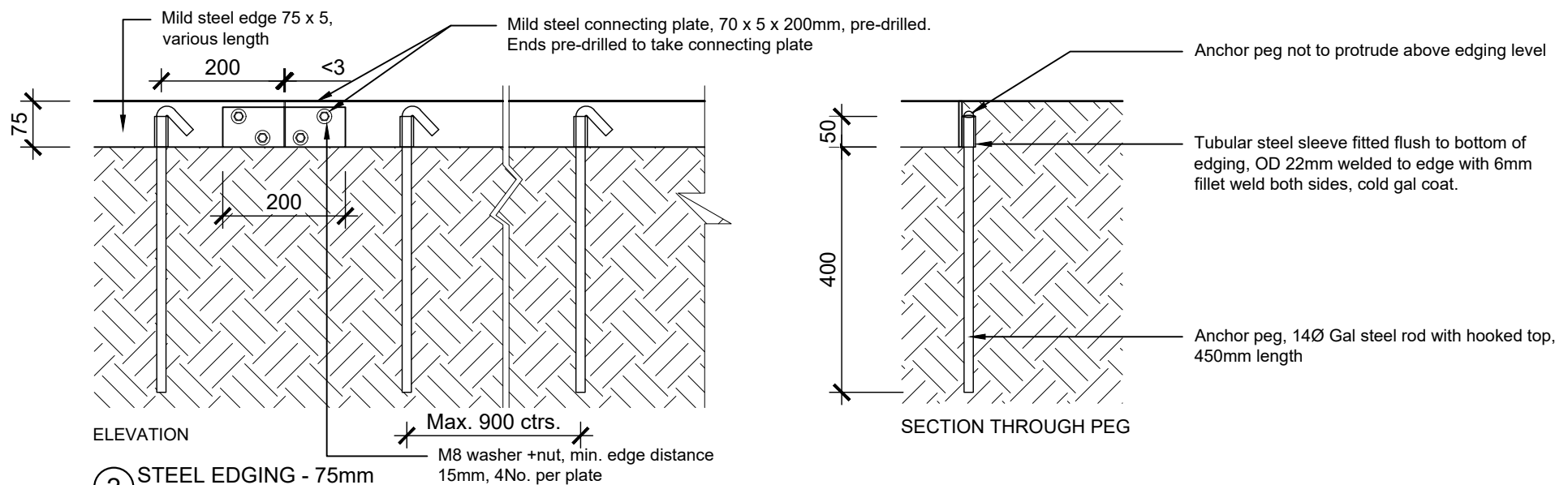
NOTE: Allow for settlement of topsoil and top dressing as necessary to maintain desired surface level

**3 TURF INSTALLATION**  
 Detail  
 Scale 1:10@A3 **LD - 3/2.1**



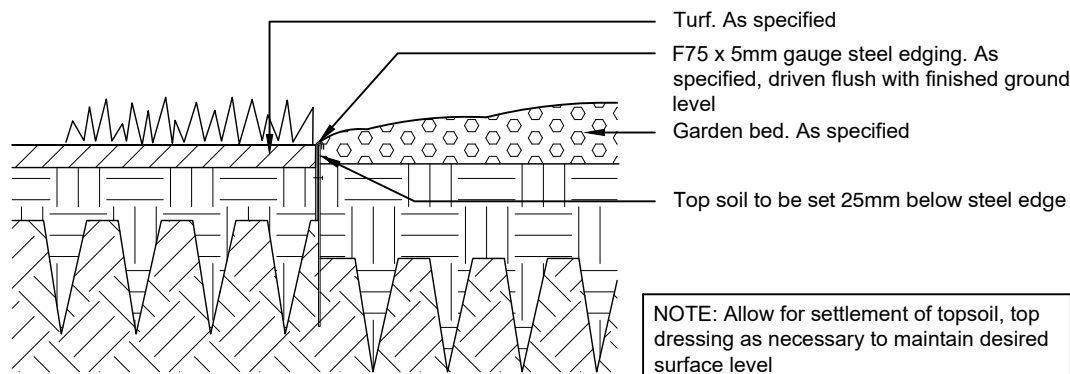
**1 CONCRETE EDGE BEAM / SOFFFALL INTERFACE**

Detail Scale 1:10@A3 **LD - 1/3.1**



**2 STEEL EDGING - 75mm**

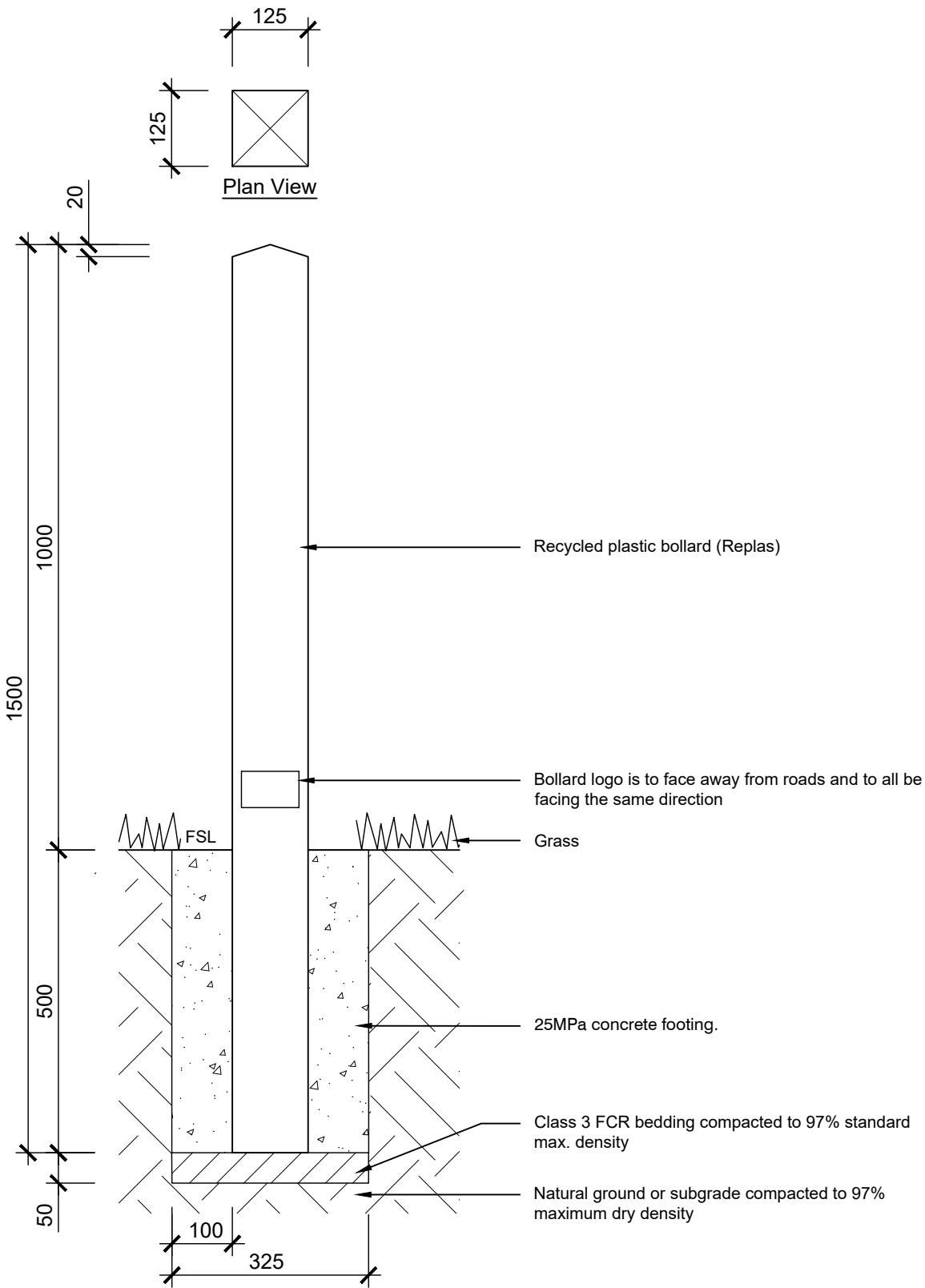
Detail Scale 1:10@A3 **LD - 2/3.1**



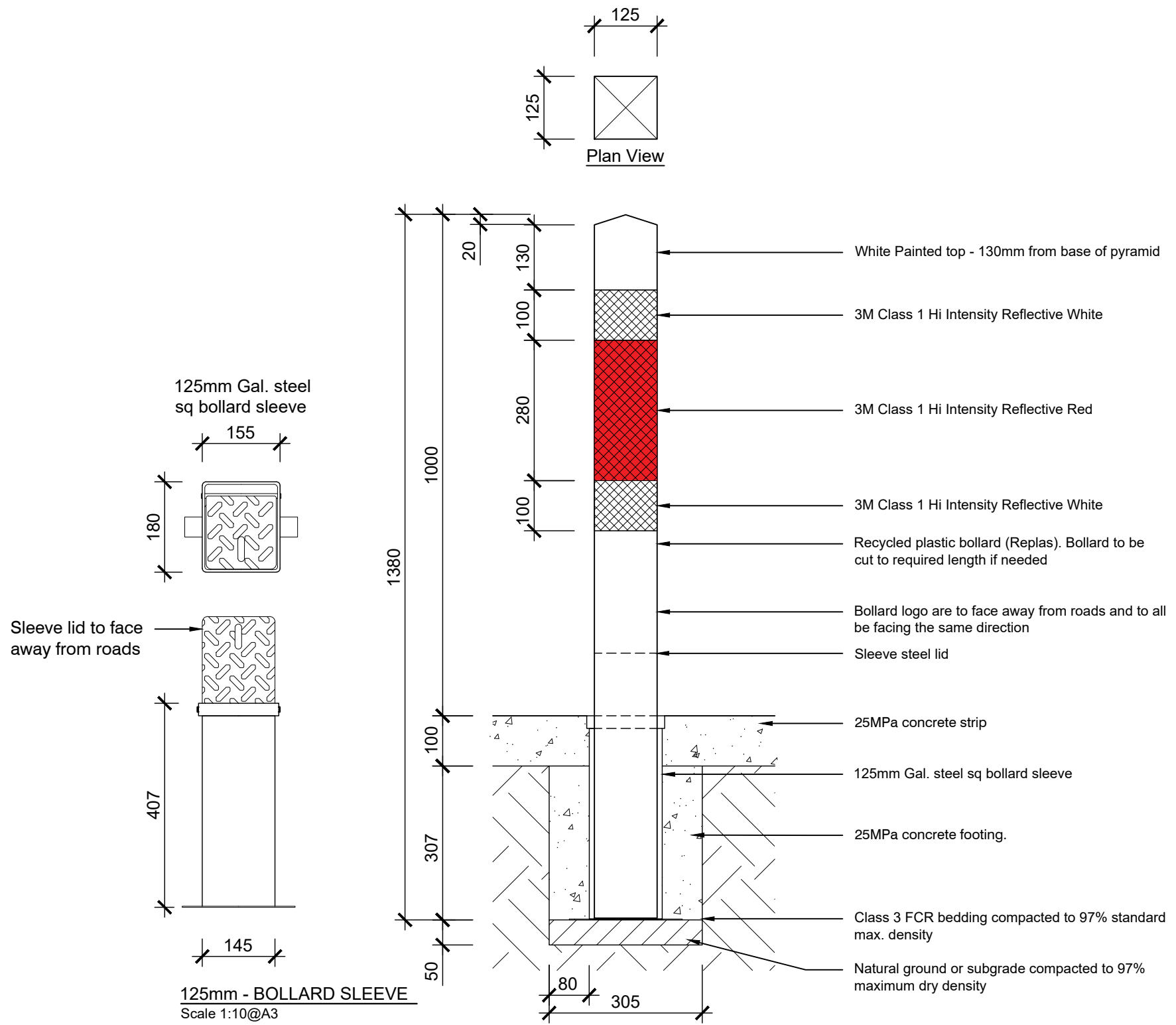
**3 STEEL EDGE - TURF & GARDEN BED INTERFACE**

Detail Scale 1:10@A3 **LD - 3/3.1**

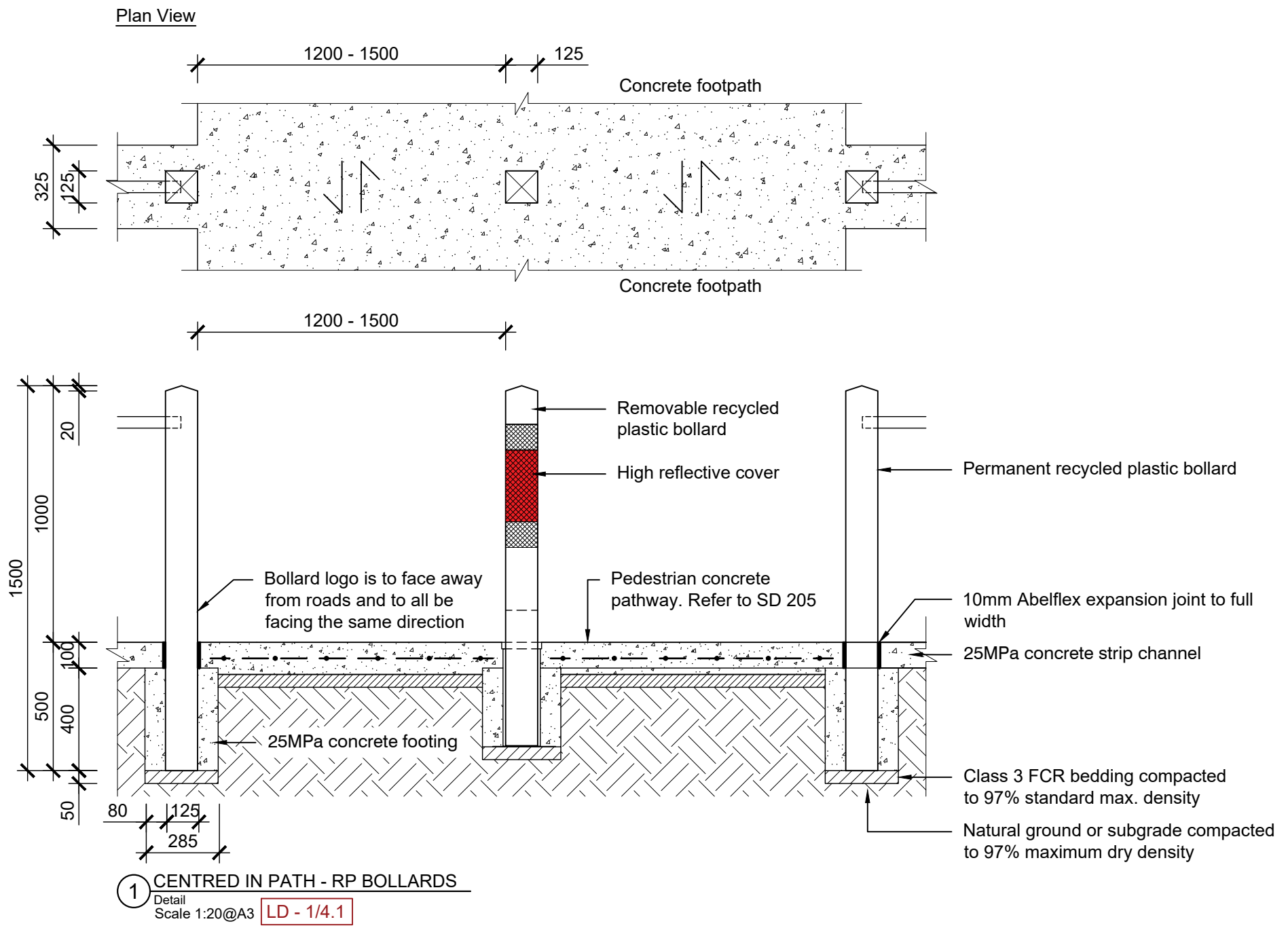
300

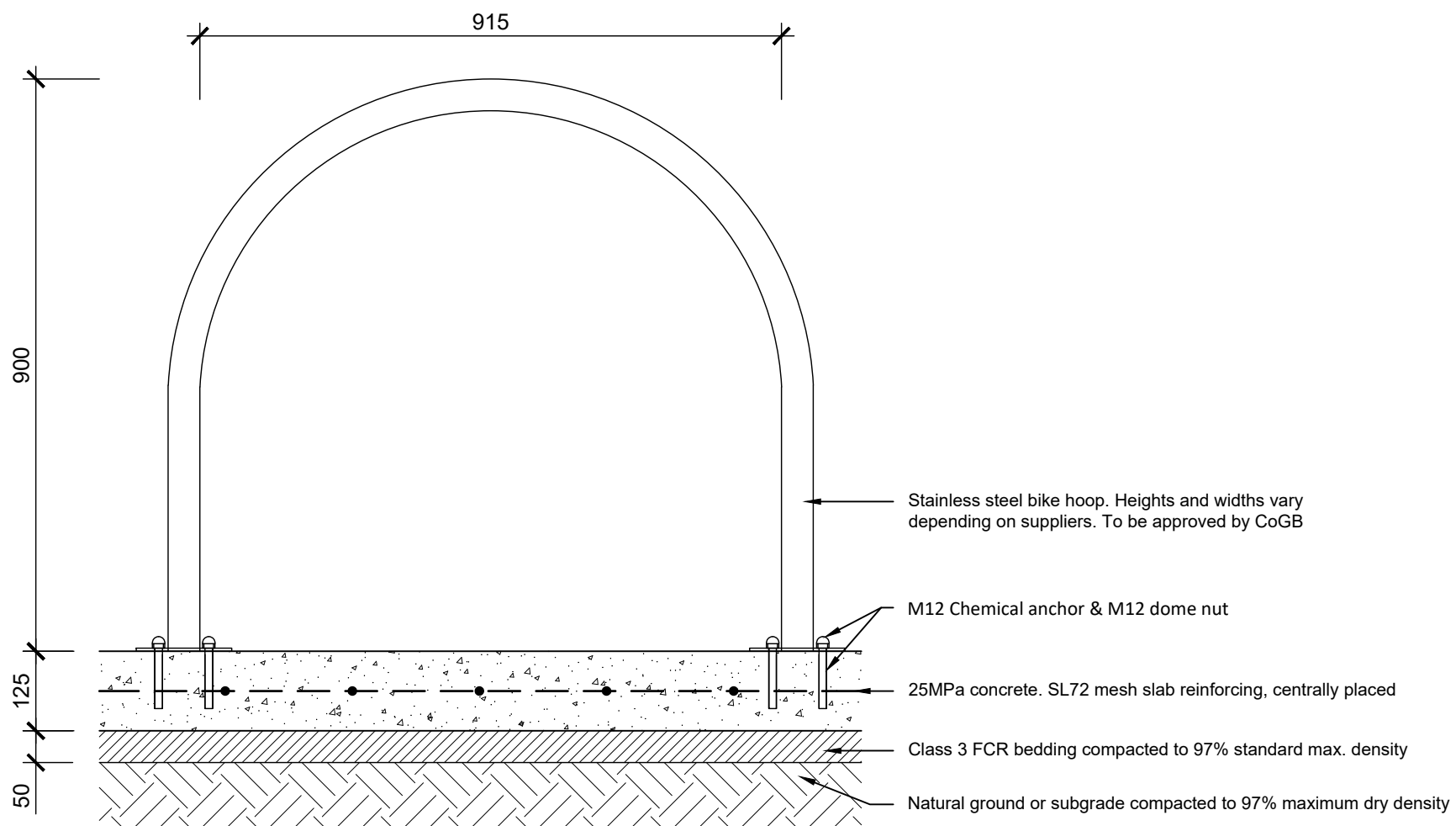


① **SINGLE - RECYCLED PLASTIC BOLLARD / CONC. EDGING**  
Detail  
Scale 1:10@A3 **LD - 1/4.1**



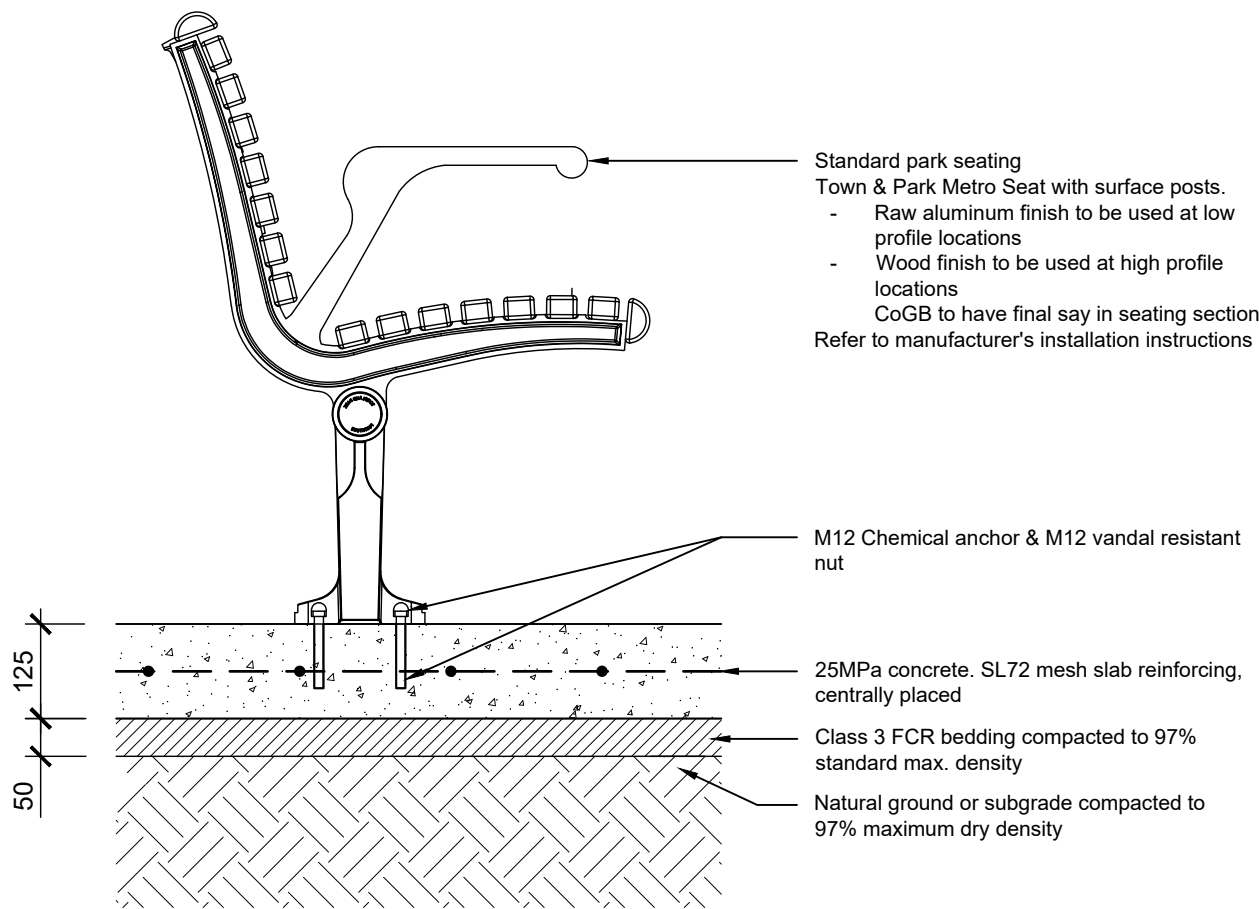
**1 RECYCLED PLASTIC BOLLARD - IN 125MM GAL. STEEL SQ BOLLARD SLEEVE**  
 Detail Scale 1:10@A3 LD - 1/4.2



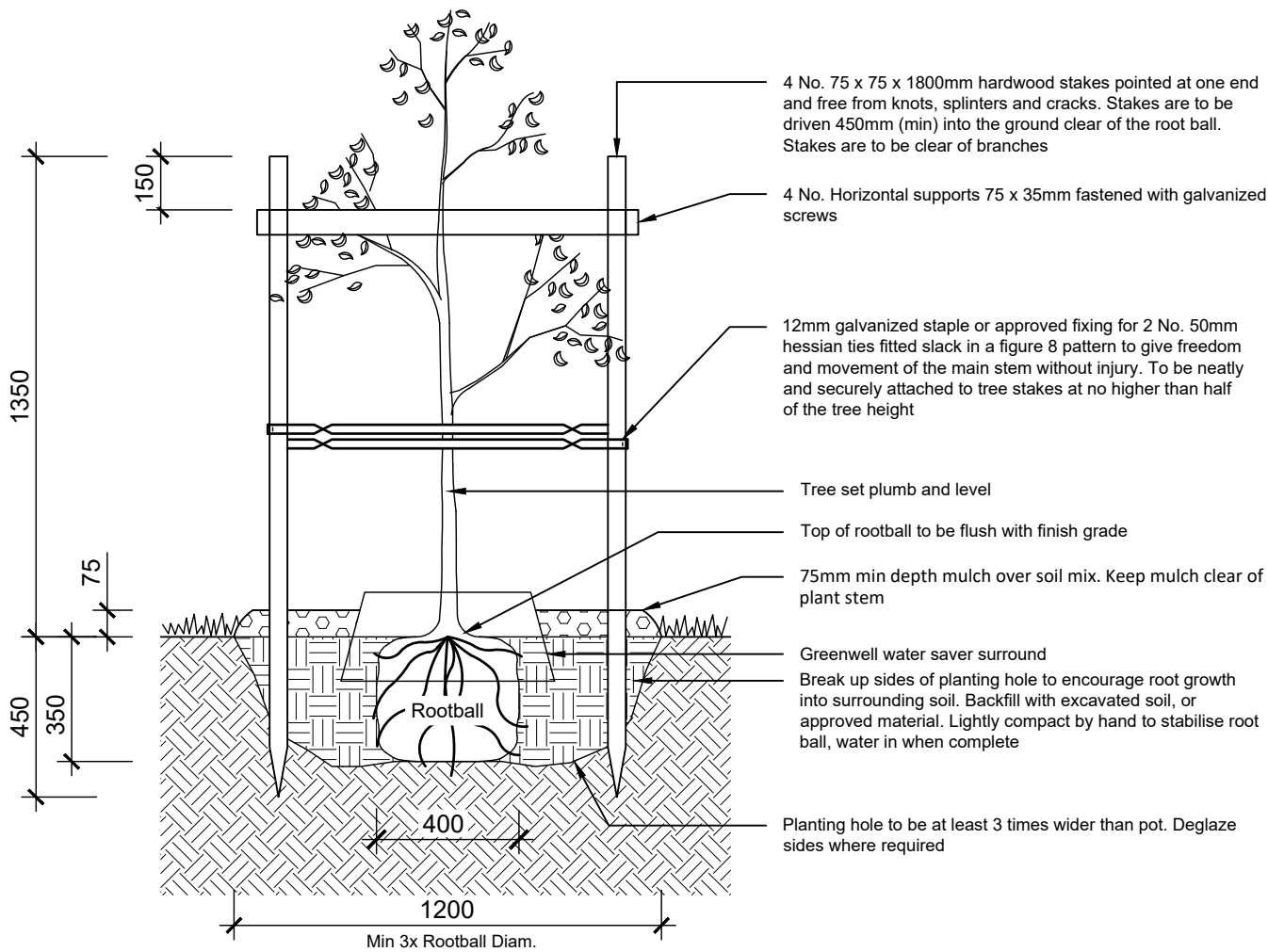


① **BIKE HOOP - BOLTED INTO CONCRETE PAVEMENT**  
Detail  
Scale 1:10@A3 **LD - 1/5.1**

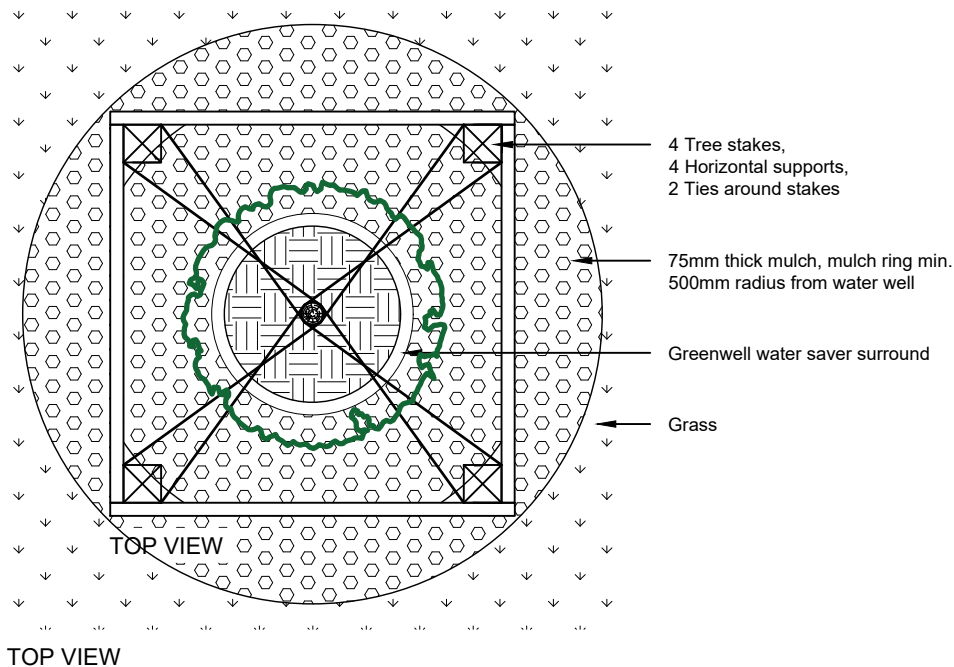




**1 PARK SEAT BOLTED INTO CONCRETE**  
 Detail  
 Scale 1:10@A3 **LD - 1/6.1**



**1 TREE PLANTING DETAIL IN NEW SUBDIVISION NATURE STRIP**  
 Detail  
 Scale 1:20@A3 **LD - 1/7.1**



**NOTES FOR APPLICATION**

**PURPOSE**

Tree planting in low complexity streetscapes & public open spaces:

- Nature Strips
- Parks and Reserves
- Greenways
- Playspaces

**SUPPLY**

Tree stock to conform to AS 2303: 2018 Tree stock for landscape use. Container size and species to be in accordance with the City of Greater Bendigo approved plan.

**PLACEMENT & INSTALL**

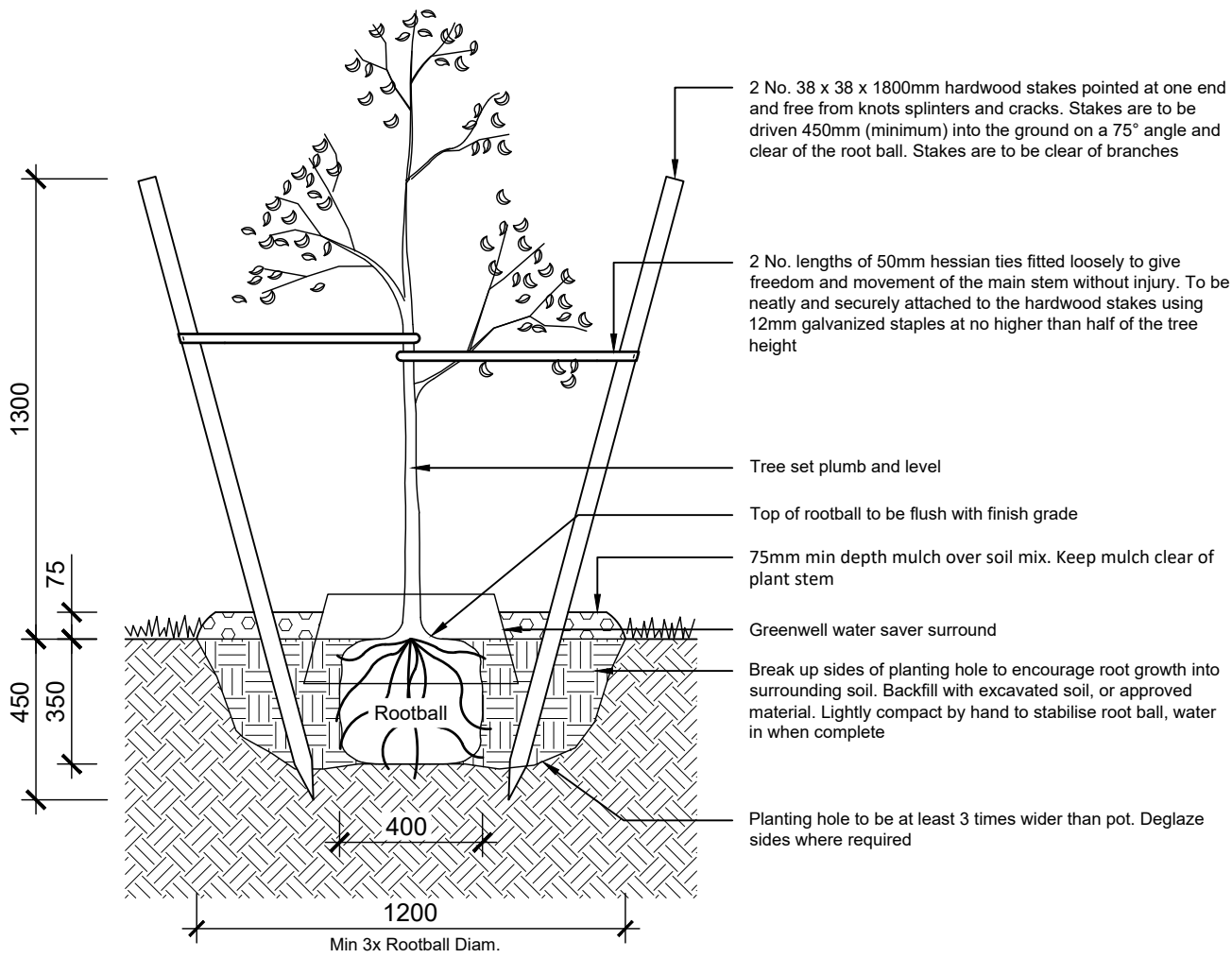
Trees are to be located as per the City of Greater Bendigo approved plan. Trees are to be root pruned and planted at a depth plumb and level with the existing site.

**MATERIALS**

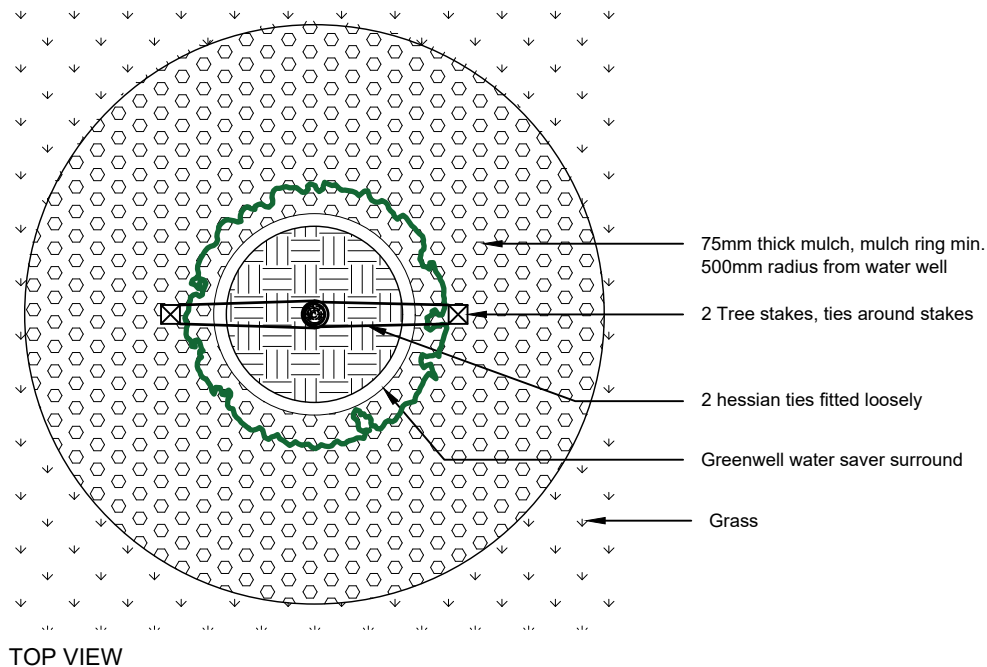
- 45L/40cm Tree
- Hardwood stakes (75 x 75mm x 1800mm)
- Horizontal supports (75 x 35mm)
- Hessian tree tie; Jute webbing (50mm wide)
- Galvanised staples (12mm)
- Greenwell Water Saving Surround (black)
- Mulch (suitable mixed particle)

**MAINTENANCE**

- Maintenance period to be a minimum 24 months (beginning from planting date) and must include 2 full summers.
- Must include regular irrigation, formative pruning, and weeding.
- Tree to be pruned in accordance with AS 4373-2007 Pruning of Amenity Trees



**1 TREE PLANTING DETAIL FOR OPEN SPACES**  
 Detail Scale 1:20@A3 **LD - 1/7.2**



**NOTES FOR APPLICATION**

**PURPOSE**

Tree planting in low complexity streetscapes & public open spaces:

- Nature Strips
- Parks and Reserves
- Greenways
- Playspaces

**SUPPLY**

Tree stock to conform to AS 2303: 2018 Tree stock for landscape use. Container size and species to be in accordance with the City of Greater Bendigo approved plan.

**PLACEMENT & INSTALL**

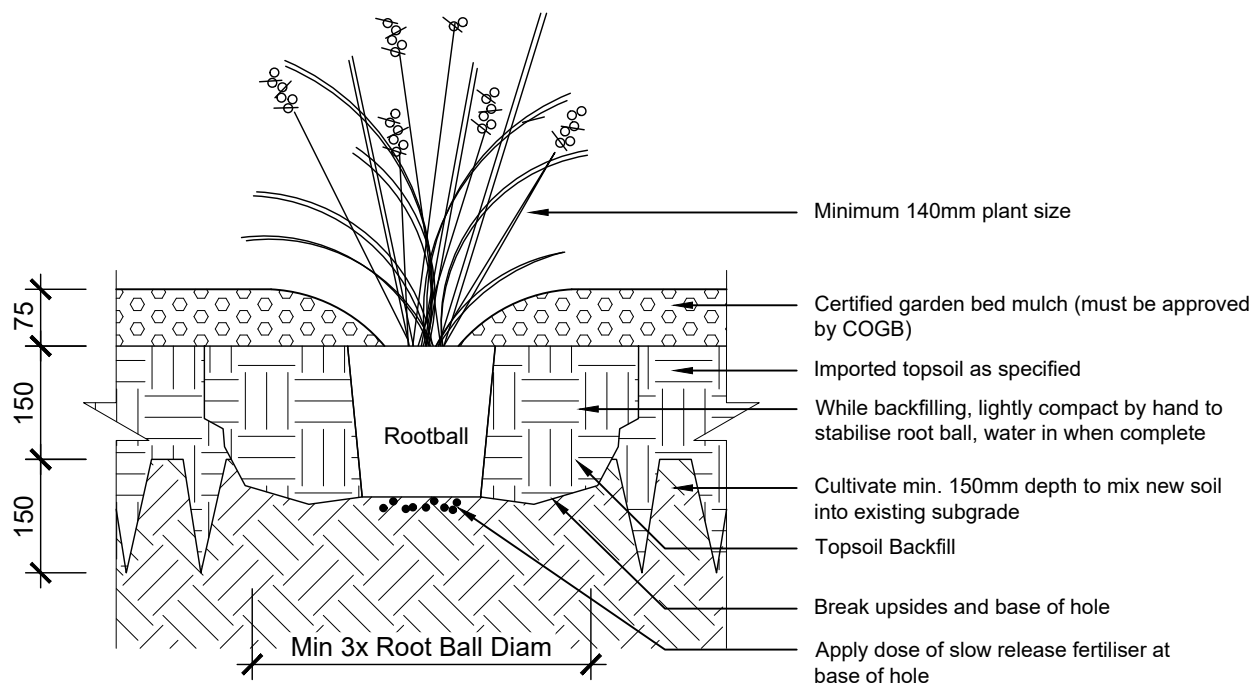
Trees are to be located as per the City of Greater Bendigo approved plan. Trees are to be root pruned and planted at a depth plumb and level with the existing site.

**MATERIALS**

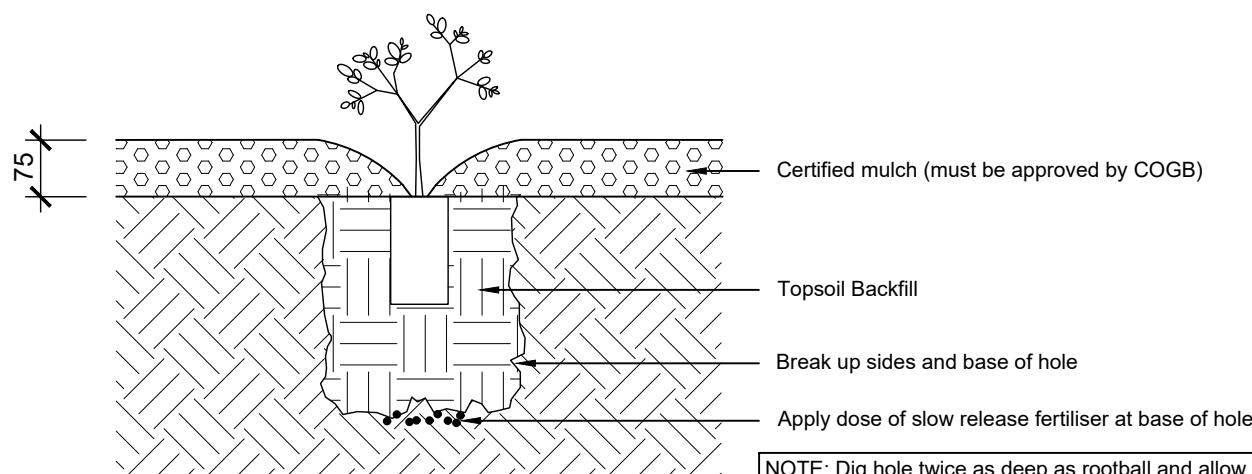
- 45L/40cm Tree
- Hardwood stakes (38 x 38mm x 1800mm)
- Hessian tree tie; Jute webbing (50mm wide)
- Galvanised staples (12mm)
- Greenwell Water Saving Surround (black)
- Mulch (suitable mixed particle)

**MAINTENANCE**

- Maintenance period to be a minimum 24 months (beginning from planting date) and must include 2 full summers.
- Must include regular irrigation, formative pruning, and weeding.
- Tree to be pruned in accordance with AS 4373-2007 Pruning of Amenity Trees

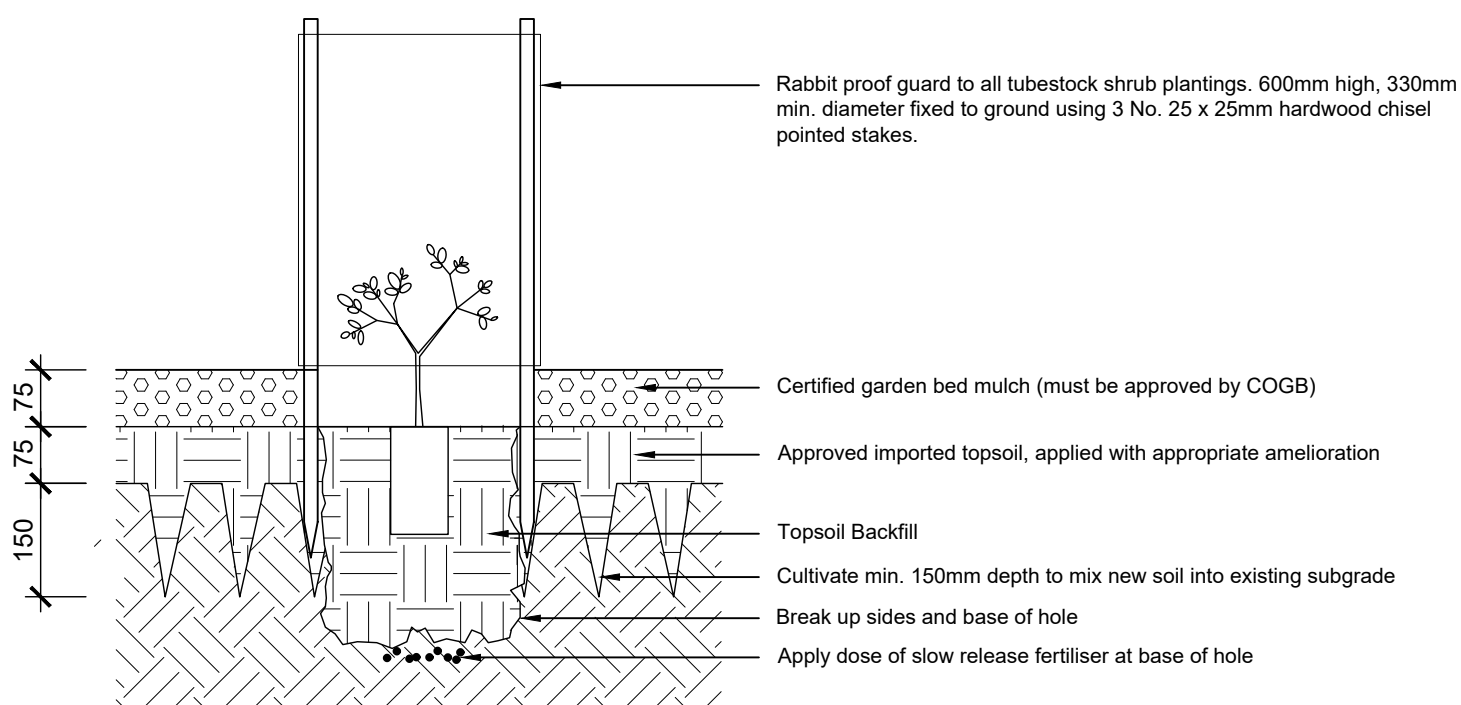


**1 SHRUB PLANTING AND MULCHING**  
 Detail  
 Scale 1:10@A3 **LD - 1/8.1**



**# TUBESTOCK IN MULCHED OUT AREA**  
 Detail  
 Scale 1:10@A3 **LD - 2/8.1**

**NOTE:** Dig hole twice as deep as rootball and allow at least 200mm around sides for backfilling with topsoil. Apply fertiliser in base of hole, cover with topsoil (Refer Specification for further detail). Place plant in centre of hole, backfill with approved topsoil, firming progressively. Water in well.



**3 TUBESTOCK WITH TREE GUARD**  
 Detail  
 Scale 1:10@A3 **LD - 3/8.1**